

Location: _____

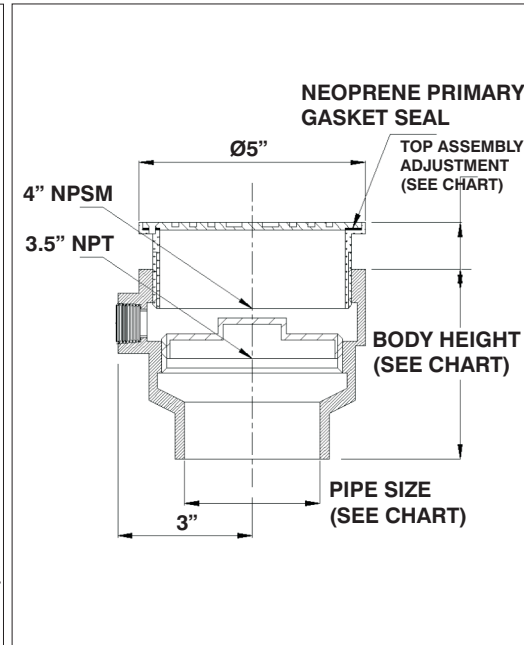
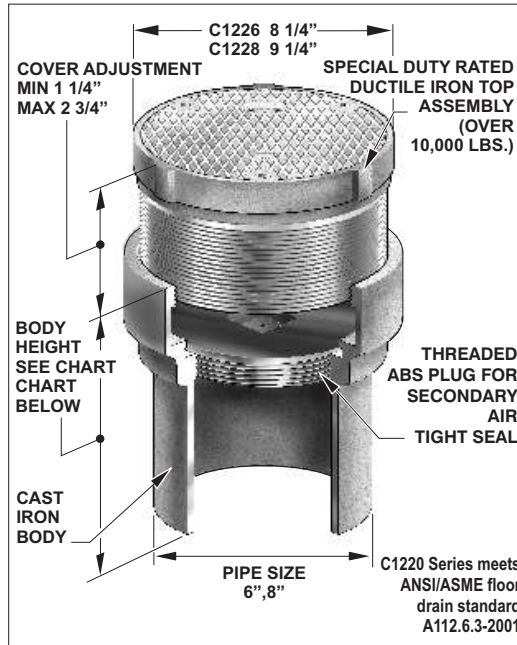
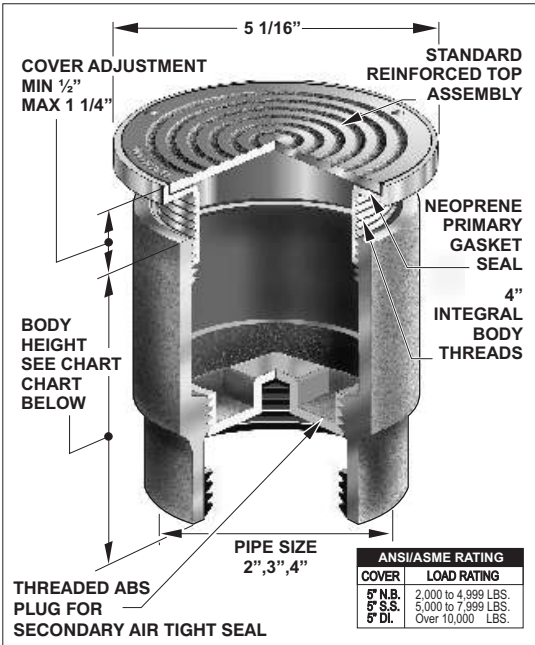


C1220

FLOOR CLEANOUT WITH ADJUSTABLE COVER AND SECONDARY CLOSURE PLUG

Specification: MIFAB C1220 Series (specify top assembly design) adjustable floor cleanout with lacquered cast iron body, secondary closure plug and scoriated combined cover and plug top assembly (specify material type) with stainless steel vandal proof allen key screws.

Function: Used in finished floors to provide emergency access to the plumbing lines for removal of blockages.



Metric equivalents see chart below. (Dimension) Denotes Millimetres **Note:** C1226X has a 9 1/4" Dia. top assembly

PIPE SIZE	BODY HEIGHT			
	NO HUB (STANDARD)	PUSH ON (P)	INSIDE CAULK (X)	PVC/ABS (-30)/(-31)
2" (51)	4" (102)	4 3/8" (111)	—	3 5/8" (92)
3" (76)	4" (102)	4 3/8" (111)	—	4 5/16" (109)
4" (102)	4" (102)	4 3/8" (111)	—	4 11/16" (119)
6" (152)	7 1/2" (191)	6 1/4" (159)	6 7/8" (175)	—
8" (203)	7 1/2" (191)	—	—	—

SUFFIX	OPTIONAL VARIATIONS:	SUFFIX	SUFFIX
-1	Nickel bronze top assembly	-95	Special marking etched into top (SAN for sanitary or GW for Grease Waste)
-3	Heavy duty stainless steel top assembly	-ARRA	ARRA (Stimulus Act) compliant product
-4	Extra heavy duty ductile iron top assembly for unfinished areas	(See C1100 Series)	Anchor flange
-6	Security screws (TR25 Torx & pin)	-BA	Buy American Act compliant product
-6S	6" x 6" square top assembly (-1 or -3 only) (2", 3", 4" outlets only)	(Standard)	No hub outlet
-11	Acid resistant epoxy coated body	P	Push on outlet (2", 3", 4", 6" outlets only)
-13	Galvanized body	-PA	Pennsylvania Steel Act compliant product
-15	Extension	-R	Round top assembly
-30	PVC socket connection body (2", 3", 4" outlets only)	-RC	Stainless steel carpet maker
-31	ABS socket connection body (2", 3", 4" outlets only)	-RCF	Stainless steel carpet flange cover (-1 or -3 only) (2", 3", 4" outlets only)
-34B	Brass closure plug		
			-S Square top assembly (-1 or -3 only) (2", 3", 4" outlets only)
			-T Round top assembly recessed 1/8" for tile (-1 or -3 only) (2", 3", 4" outlets only)
			-TS Square top assembly recessed 1/8" for tile (-1 or -3 only) (2", 3", 4" outlets only)
			-UR Round top assembly recessed 1 1/4" for terrazzo (-1 or -3 only) (2", 3", 4" outlets only)
			-US Square top assembly recessed 1 1/4" for terrazzo (-1 or -3 only) (2", 3", 4" outlets only)
			X Inside caulk outlet (6" outlet only)
			-XR Heavy duty round top assembly
			-XS Heavy duty square top assembly (2", 3", 4" outlets only)
			-Z Extended wide elastomeric flange

Job Name: _____ Page No: _____
 Section No: _____ Contractor: _____
 Schedule No: _____ Purchase Order No: _____