

Location: _____

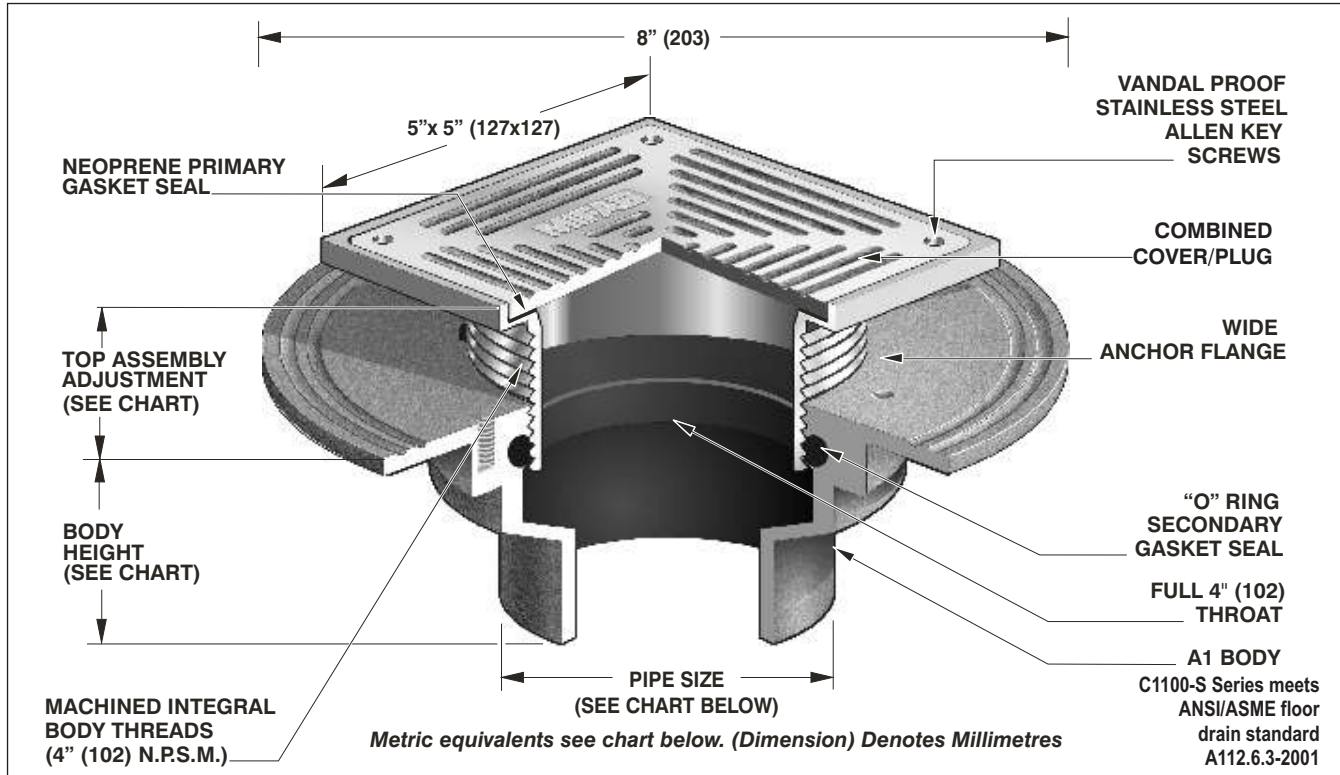


C1100-S

FLOOR CLEANOUT WITH SQUARE ADJUSTABLE COVER AND PLUG

Specification: MIFAB C1100-S Series adjustable floor cleanout with lacquered cast iron body and anchor flange, secondary "O" ring Test Seal, 4" diameter cleanout opening and square scoriated combined cover and plug top assembly (specify material type) with stainless steel vandal proof allen key screws and primary gasket seal. (For membrane floors, add Suffix -C for the membrane clamp.)

Function: Used in finished floors to provide emergency access to the plumbing lines for removal of blockages. Replacement of the surface level cover/plug with the neoprene gasket glued to the underside provides visual evidence that the cleanout has been properly resealed to prevent harmful sewer gases from entering the building.



TOP ASSEMBLY DIAMETER	TOP ASSEMBLY ADJUSTMENT MIN MAX		ANSI/ASME RATING LOAD RATING		PIPE SIZE	BODY HEIGHT				
			N.B. (-1)	S.S. (-3)		NO HUB (STANDARD)	PUSH ON (P)	THREADED (T)	INSIDE CAULK (X)	PVC/ABS (-30)/(-31)
5" x 5" (127 x 127)	1/2" (13)	1 1/4" (32)	UP TO 4,999 LBS.	5,000 TO 7,499 LBS.	2" (51)	3" (76)	3 3/8" (86)	2 1/4" (57)	3 3/4" (95)	2 15/16" (75)
					3" (76)	3" (76)	3 3/8" (86)	2 5/8" (67)	3 3/4" (95)	3 3/4" (95)
					4" (102)	3" (76)	3 3/8" (86)	2 5/8" (67)	3 3/4" (95)	3 3/4" (95)
					5" (127)	3" (76)	—	2 5/8" (67)	3 3/4" (95)	—
					6" (152)	3 1/4" (83)	6 1/2" (165)	—	—	—

SUFFIX	OPTIONAL VARIATIONS:	SUFFIX		SUFFIX	
-1	Nickel bronze top assembly	-90	Threaded side outlet (2",3",4") (cast iron only)	-PA	Pennsylvania Steel Act compliant product
-3	Heavy duty stainless steel top assembly	-90NH	No hub side outlet (2", 3", 4") (cast iron only)	-RC	Stainless steel carpet maker
-6	Security screws (TR25 Torx & pin)	-95	Special marking etched into top (SAN for sanitary or GW for Grease Waste)	-RCF	Stainless steel carpet flange cover (-1 or -3 only)
-6S-1	6" x 6" nickel bronze top assembly	-ARRA	ARRA (Stimulus Act) compliant product	T	Threaded outlet (2",3",4")
-6S-3	6" x 6" stainless steel top assembly	-BA	Buy American Act compliant product	-TS	Square top assembly recessed 1/8" for tile (-1 or -3 only)
-11	Acid resistant epoxy coated body	-C	Membrane clamp	-US	Square top assembly recessed 1 1/4" for terrazo (-1 or -3 only)
-13	Galvanized body	(Standard)	No hub outlet	X	Inside caulk outlet
-15	Extension	P	Push on outlet	-XS	Heavy duty square top assembly
-28	Stainless steel body (Type 304)			-Z	Extended wide elastomeric flange
-30	PVC socket connection body				
-31	ABS socket connection body				
-34	Secondary closure plug				

Job Name: _____ Page No: _____
 Section No: _____ Contractor: _____
 Schedule No: _____ Purchase Order No: _____